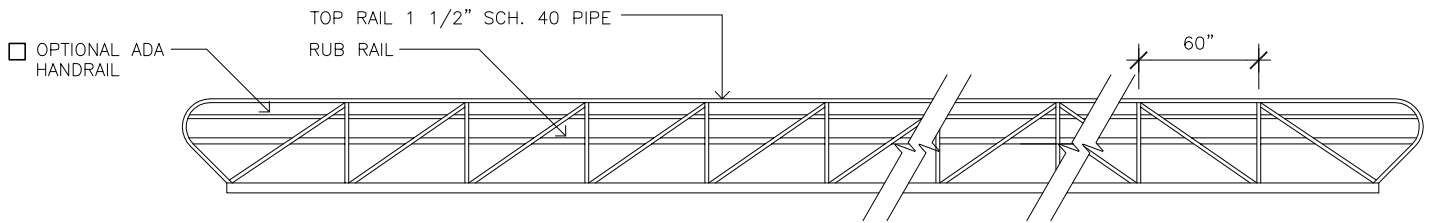
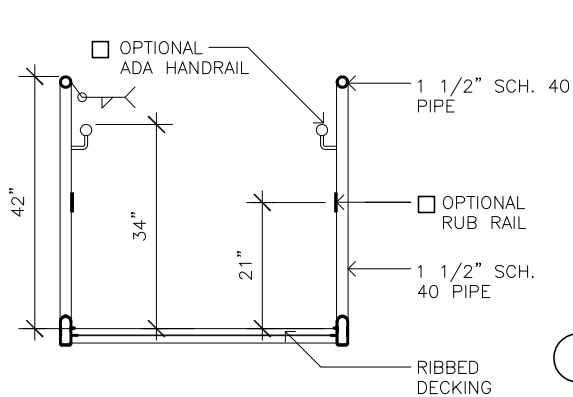


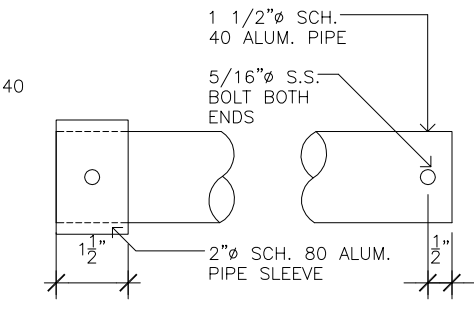
1 PLAN VIEW
NOT TO SCALE



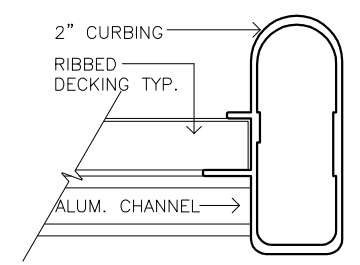
2 ELEVATION
NOT TO SCALE



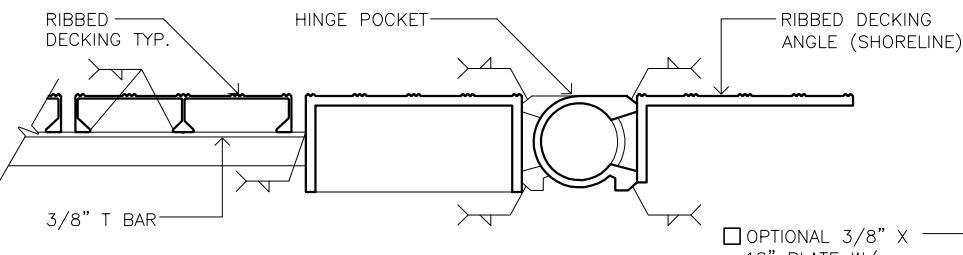
3 SECTION A-A
3/8" = 1'-0"



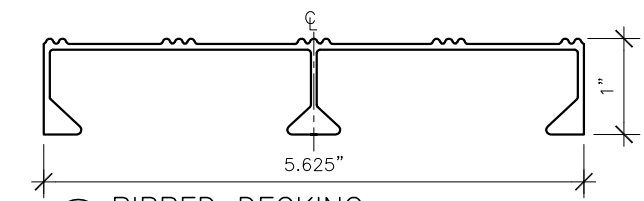
4 HINGE PIN - GANGWAYS DET.
3" = 1'-0"



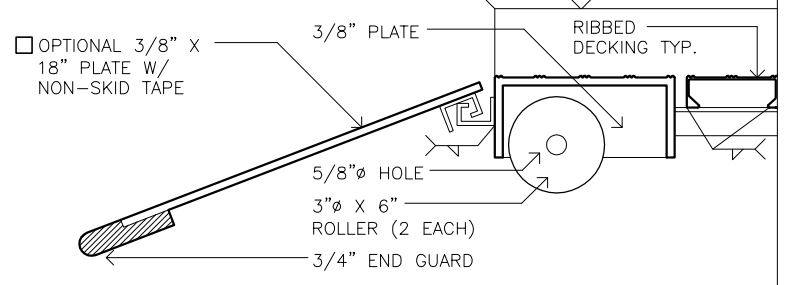
5 SIDE RAIL SECTION
3" = 1'-0"



6 SHORE SIDE HINGE DET.
NOT TO SCALE



8 RIBBED DECKING
6" = 1'-0"



7 TREAD PLATE END - DET.
NOT TO SCALE

FILE NAME: DOCK DRAWINGS.DWG

www.gangways.biz
docksramps@gangways.biz

TEL 207-664-2121
FAX 207-664-2533

Superior Dock

420 Christian Ridge Road
Ellsworth, Maine 04605

DOCK RAMP PLAN,
ELEVATIONS, & DETAILS

DESIGN LOAD: 50 P.S.F.